

FassadenClip®



FassadenClip®

The aesthetically perfect solution for fastening timber facades!



Simply put the FassadenClip® (integrated assembly stop) on the back of the facade board and fasten with the enclosed BohrFix® screws.

The exterior surface and the side edges of the battens remain fully intact.



Repeat laterally offset on every facade board.

The substructure must be at least 50 mm wide.

The lateral distance is given by the batten width.



Now insert the facade board and fasten to the substructure/battens on the upper edge.

Optimal rear ventilation of the facade!

The FassadenClip® ensures optimal drying of the boards and enhances the durability of your facade.

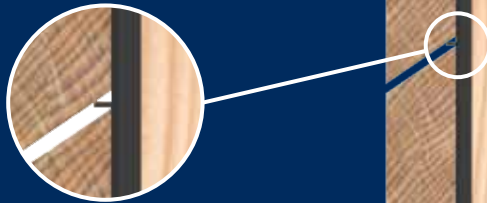
Its black surface makes the FassadenClip® invisible in the gaps.

Gaps of equal width - simple and efficient!

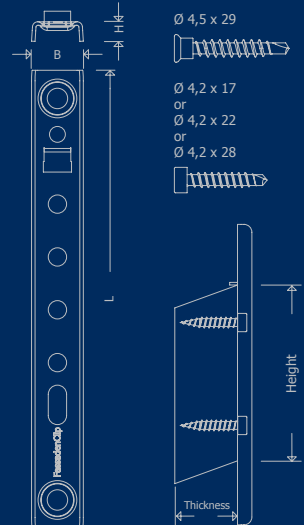
The gap width is automatically fixed with the head of the enclosed BohrFix® screw.



For any individually chosen gap width, simply turn the enclosed system screw into the top drill hole of the **FassadenClip®**.



Dimension	Dimensions [mm]			Dimensions of façade profile		
	L	B	H	Height [mm]		Thickness [mm]
Type FCS				min.	max.	min.
115 x 17	115	15	5,5	57	68	19
130 x 17	130	15	5,5	69	80	
145 x 17	145	15	5,5	81	95	
115 x 22	115	15	5,5	57	68	24
130 x 22	130	15	5,5	69	80	
145 x 22	145	15	5,5	81	95	
115 x 28	115	15	5,5	57	68	30
130 x 28	130	15	5,5	69	80	
145 x 28	145	15	5,5	81	95	



Calculation of quantity = m^2 : distance from substructure : (facade profile height + gap)

www.sihga.com

26
25
24
23
22
21
20
19
18
17
16
15
14
13
12
11
10
9
8
7
6
5
4
3
2
1



Your SIHGA® system partner:

