

 **KERAPLAST** INTERIOR

INTERIOR LIGHTS

SPRING 2013



Index:

Tapio Anttila

- TIP hanging light
- TIP floor light
- TIP table light
- MARS hanging light
- MARS floor light
- KALLA
- OMENA
- TRIPLE

Elizabeth Salonen

- KIIRUNA
- LUOTO
- LISABELL

Jonas Hakaniemi

- DIAMOND

Heikki Turunen

- LA BOHEME
- SILUETTE
- REFLEX

Keraplast Design Team

- LEONARDO
- GALILEO
- MONOPOL
- DIPOL

Classics in Orno collection

- SKY FLYER
- NEW YORK
- NIGHT SKY

Designer TAPIO ANTTILA



Tapio Anttila (born 1962) is a highly professional designer with international recognition. Being very productive Mr. Anttila was appointed in 2012 to furniture designer of the year in Finland. He has designed for Keraplast a modern TIP light which has received several international awards. Mr. Anttila's production represent also elegant acrylic lights as Triple, Omena (Apple), Mars-series and Kalla. " Light designing is not only form giving, but also shaping light and illumination. Light filters beautifully through the acrylic material revealing the contour very soft and delicate way", crystalizes interior designer, Mr. Tapio Anttila.

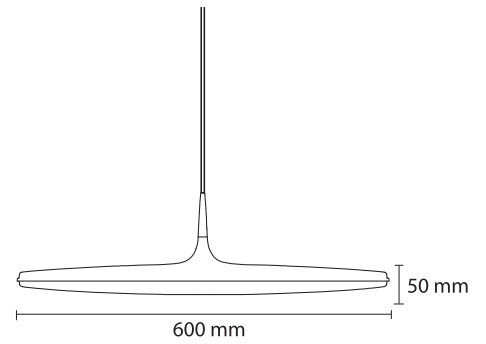


The furniture designer of the Year 2012

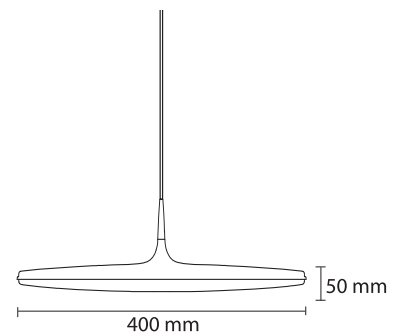
TIP hanging light designer Tapio Anttila



TIP Ø 60
hanging light
acryl opal
cord 2,0 m
LED-unit 30W incl. 2x70 LED chips
color temperature 3000 K
Dimming with SwitchDim available



TIP Ø 40
hanging light
acryl opal
cord 2,0 m
LED-unit 20W incl. 2x56 LED chips
color temperature 3000 K
Dimming with SwitchDim available



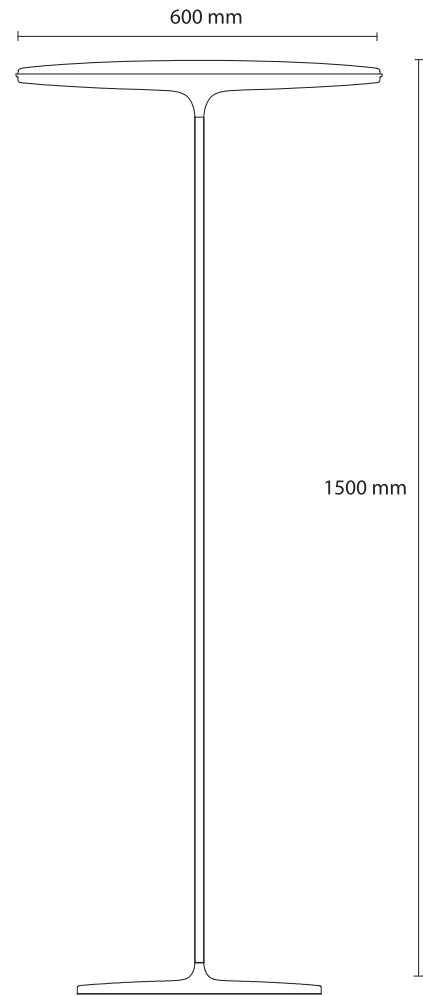
TIP



TIP

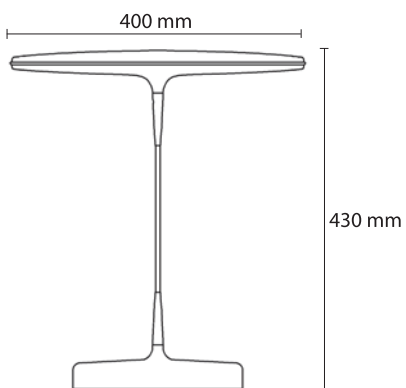


TIP floor light designer Tapio Anttila



TIP Ø 60
floor light
acryl opal
foot: painted steel
LED-unit 30W incl. 2x70 LED chips
color temperature 3000 K
dimmer available

TIP table light designer Tapio Anttila



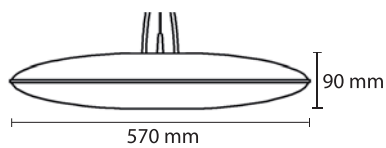
TIP Ø 40
table light
acryl opal
foot: painted steel
LED-unit 20W incl. 2x56 LED chips
color temperature 3000 K
dimmer with switch



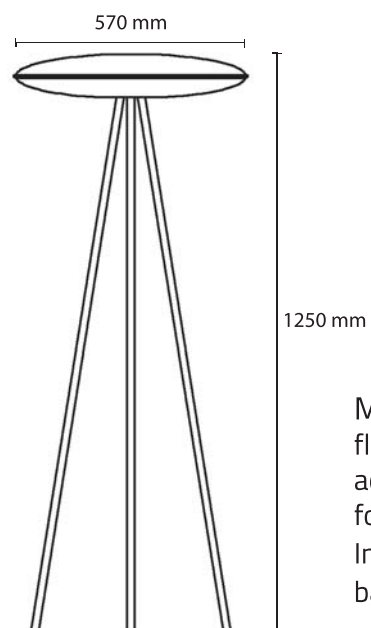
MARS hanging light designer Tapio Anttila



MARS Ø 57
hanging light
acryl opal
cord 2,0 m
Includes light source: TL5C circular 60W, 3000 K
base: 2Gx13
Dimming with SwitchDim available



MARS floor light designer Tapio Anttila

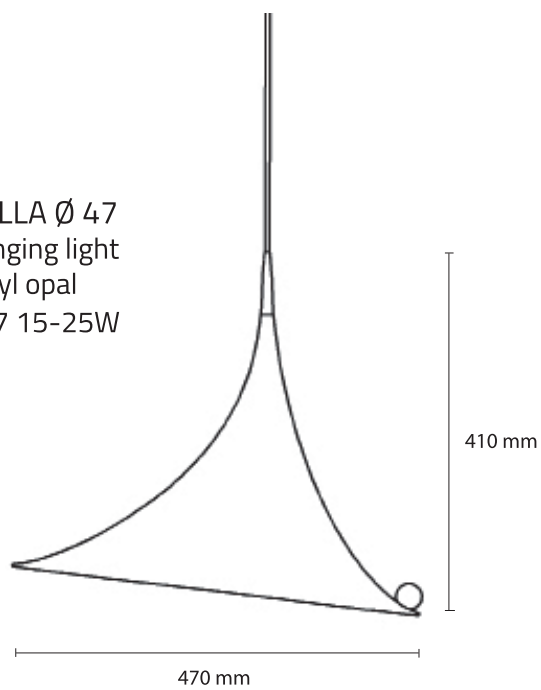


MARS Ø 57
floor light
acryl opal
foot: painted steel
Includes light source: TL5C circular 60W, 3000 K
base: 2Gx13

KALLA designer Tapio Anttila



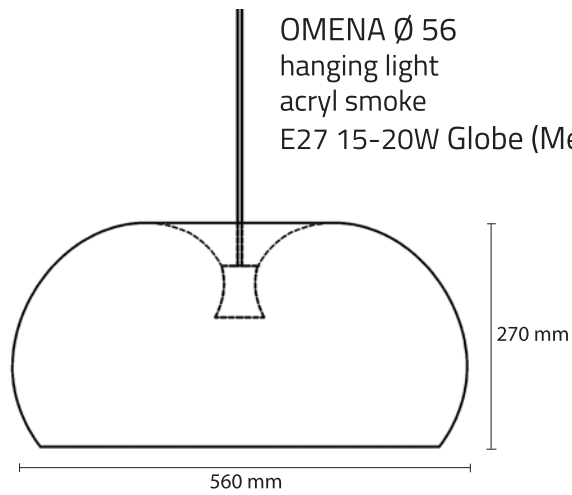
KALLA Ø 47
hanging light
acryl opal
E27 15-25W



OMENA designer Tapio Anttila



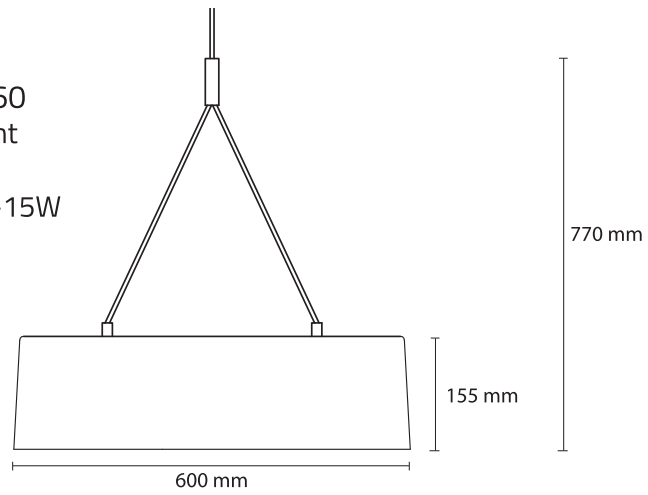
OMENA Ø 56
hanging light
acryl smoke
E27 15-20W Globe (Megaman)



TRIPLE designer Tapio Anttila



TRIPLE Ø 60
hanging light
acryl opal
3 x E27 10-15W



Designer ELIZABETH SALONEN



Elizabeth Salonen was born in Canada. She has been studying design in Finland and in the United States, graduating as industrial designer from Detroit College for Creative Studies. Salonen's versatility appears in the variety of co-operation with the well-known Finnish and international trademarks: furniture, interior products, automotive industry, lights, footwear, sporting equipment, textiles and graphics. The Scandinavian effect is apparent in her form setting and in her desire to test boundaries with materials and manufacturing methods. Her production has achieved many international design awards. Salonen has worked as an independent entrepreneur since 2005. In 2012, Elizabeth Salonen was chosen as Finland's industrial designer of the year.



The industrial designer of the Year
2012

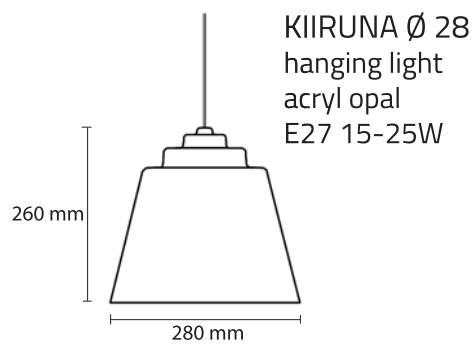
MUOTOILIJAT
FINNISH DESIGNER AWARDS



KIIRUNA designer Elizabeth Salonen



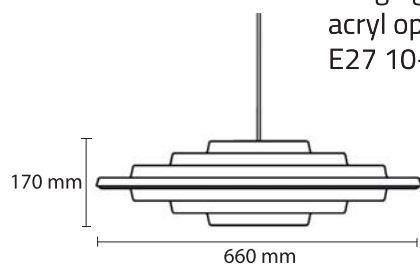
When designing the Kiiruna light, Elizabeth Salonen was inspired by the mighty scenery of the North. Kiiruna's stepped form brings to mind the snow covered mountains. As snow reflects light and makes the surroundings seem brighter on a dark winter day, so does the brisk, beautiful Kiiruna illuminate the space.



LUOTO designer Elizabeth Salonen



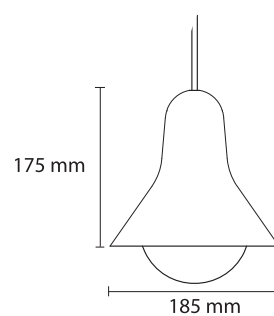
LUOTO Ø 66
hanging light
acryl opal
E27 10-15W



LISABELL designer Elizabeth Salonen



LISABELL Ø 18,5
hanging light
acryl, white, orange, yellow,
green and black
E27 15-20W Globe Ø 120



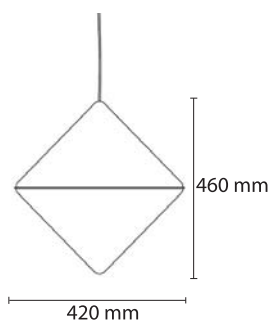
Designer JONAS HAKANIEMI



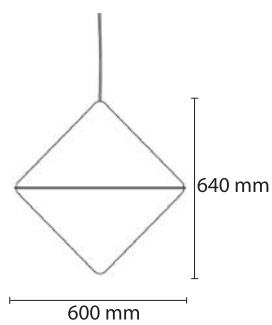
Jonas Hakaniemi is a new promising designer at Keraplast Interior. The great Diamond hanging lights were introduced to the public in Habitare 2012 show. Hakaniemi has graduated from Lahti Design Institute as a furniture designer. He has a good 15 year experience in graphic industry and marketing media as well as of various designing projects.



DIAMOND designer Jonas Hakaniemi



DIAMOND Ø 42
hanging light
acryl opal, clear middle ring
E27 15-20W



DIAMOND Ø 60
hanging light
acryl opal, clear middle ring
E27 15-25W

Designer HEIKKI TURUNEN



Heikki Turunen graduated as a designer in year 1963. Turunen has worked in the capacity of the head designer for the pioneer manufacturer in the lighting field Stockmann-Orno since year 1973. Then he served in Thorn Lighting Ltd having responsibility over the product development and the visual image. Turunen's designing activity has covered the wide field of illumination of homes and public premises. Characteristic for Turunen's lights are the harmony of light color and form. Also the light technic plays an important role.

The best known of Turunen's retro lights are La Boheme Silhouette Julia and Reflex.

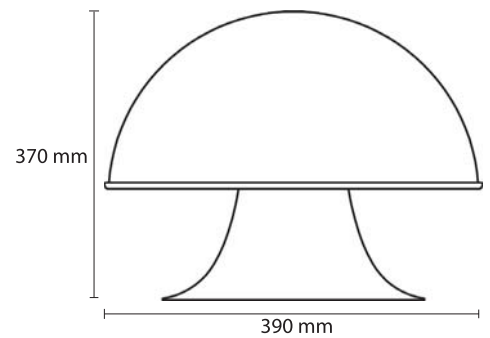


LA BOHEME designer Heikki Turunen

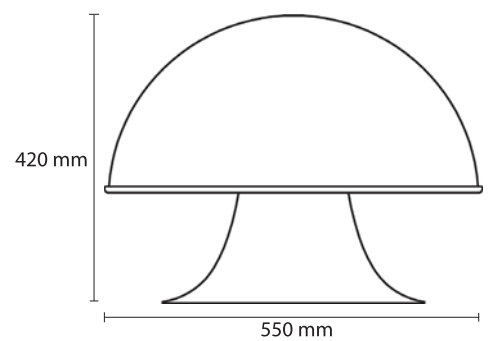


La Bohème designed in 1969 is one of the best known acryl lights from designer Heikki Turunen. This table light represents the best of retro time. The white top of La Bohème light, mushroom shape and colored foot raise attention year after a year.

LA BOHEME Ø 39
table light
acryl opal
opal / orange / black
E27 10-15W



LA BOHEME Ø 55
table light
acryl opal
opal / orange / black
E27 15-25W



LA BOHEME designer Heikki Turunen



OPAL / ORANGE



OPAL / BLACK

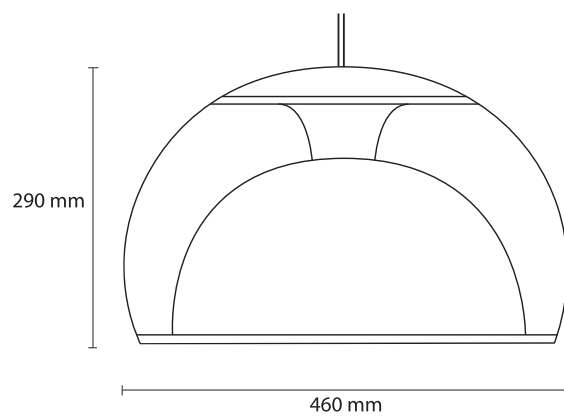


OPAL / OPAL

SILUETTE designer Heikki Turunen



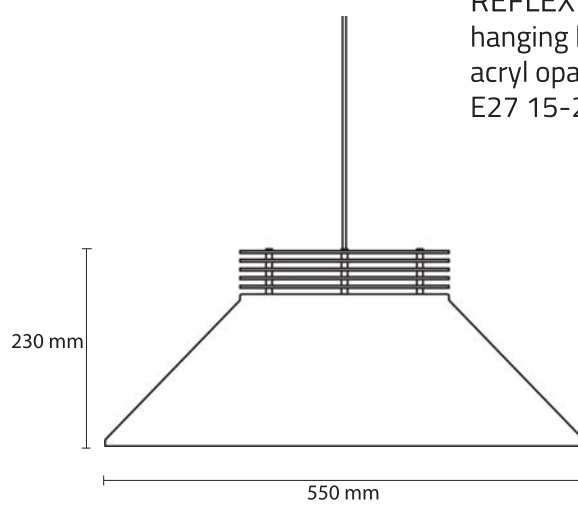
SILUETTE Ø 46
hanging light
clear acryl / white aluminium
E27 20-30W



REFLEX designer Heikki Turunen



REFLEX Ø 55
hanging light
acryl opal / clear
E27 15-20W



KERAPLAST DESIGN TEAM



Keraplast Design Team lights are beautiful and clean contoured. These lights truly are fine interior elements. The forms please one's eye at the same time providing good illumination for the premises. We recommend Keraplast Design Team lights to your projects.



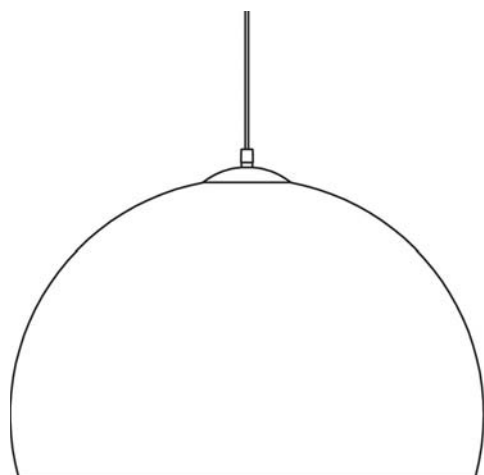
LEONARDO design Keraplast Design Team



LEONARDO

hanging light

- diam.Ø 43 cm, height 30 cm, opal, E27 15-25W
- diam.Ø 60 cm, height 37 cm, opal, E27 20-25W
- diam.Ø 80 cm, height 50 cm, opal, E27 20-30W



GALILEO design Keraplast Design Team

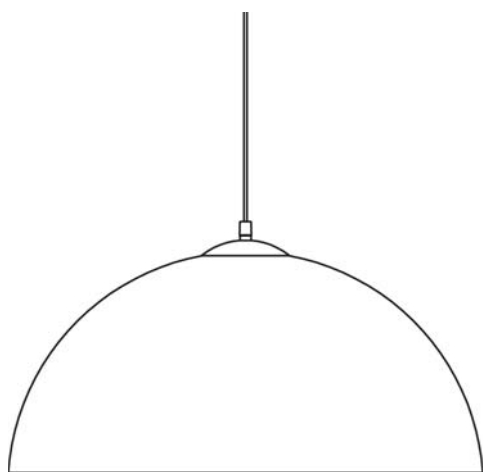


GALILEO BLACK + accessory: underlying sun visor

GALILEO

hanging light

- diam.Ø 40 cm, height.22 cm, opal, E27 15-25W
 - diam.Ø 60 cm, height.32 cm, opal, E27 20-25W
 - diam.Ø 80 cm, height.42 cm, opal, E27 20-30W
- Other colors on request



GALILEO OPAL

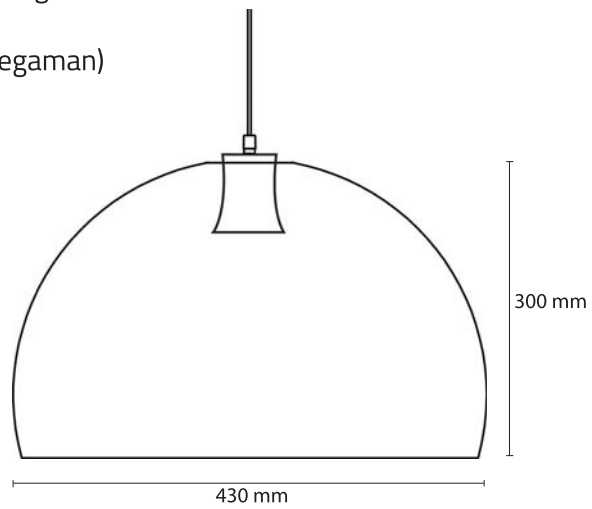


GALILEO LIME

MONOPOL design Keraplast Design Team



MONOPOL
hanging light
acryl clear / smoke / orange /
blue / red / green
E27 15-20W Globe (Megaman)



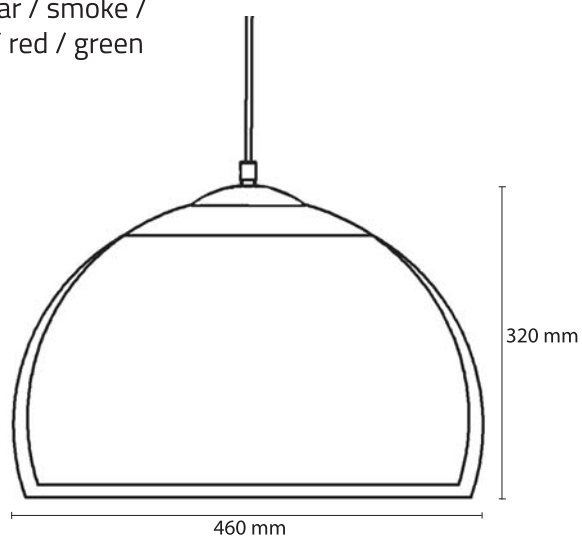
MONOPOL design Keraplast Design Team



DIPOL design Keraplast Design Team



DIPOL
hanging light
acryl opal / clear / smoke /
orange / blue / red / green
E27 15-25W



DIPOL design Keraplast Design Team



CLASSICS IN ORNO COLLECTION



SKY FLYER Ø70 and Ø50

Keraplast, authorized by the business acquisition, continues the light manufacturing line of Stockmann Orno from Kerava (later Thorn Orno) and Sanka from Lovisa in Finland. Acrylic material in lights in 1950's and 1960's meant a new era in interior decoration. The timeless form and sophisticated light of lamps brought a new look to homes and public premises. Keraplast Interior produces authentic Orno lights for the joy of retro fans with the same traditional manufacturing technic.



NEW YORK



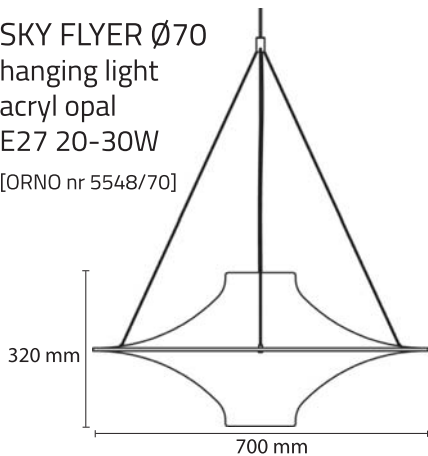
NIGHT SKY

SKY FLYER CLASSICS IN ORNO COLLECTION [ORNO nr 5548]

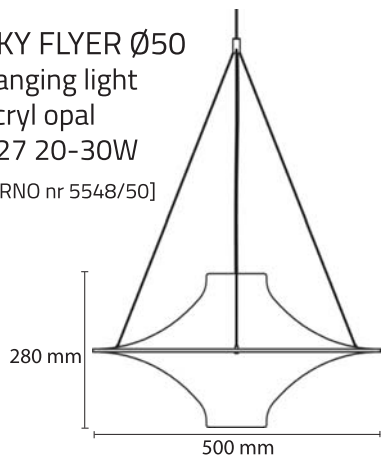


SKY FLYER Ø70

SKY FLYER Ø70
hanging light
acryl opal
E27 20-30W
[ORNO nr 5548/70]



SKY FLYER Ø50
hanging light
acryl opal
E27 20-30W
[ORNO nr 5548/50]

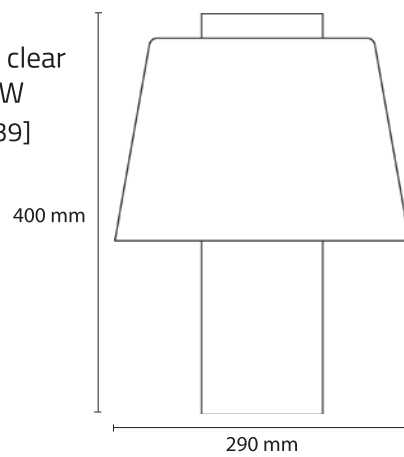


SKY FLYER Ø50

NEW YORK CLASSICS IN ORNO COLLECTION [ORNO nr 5539]



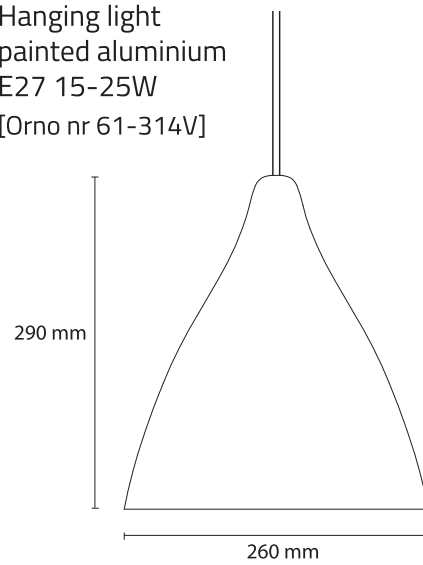
NEW YORK
table light
acryl opal / clear
E27 10-15W
[Orno nr 5539]



NIGHT SKY CLASSICS IN ORNO COLLECTION [ORNO nr 61-314V]



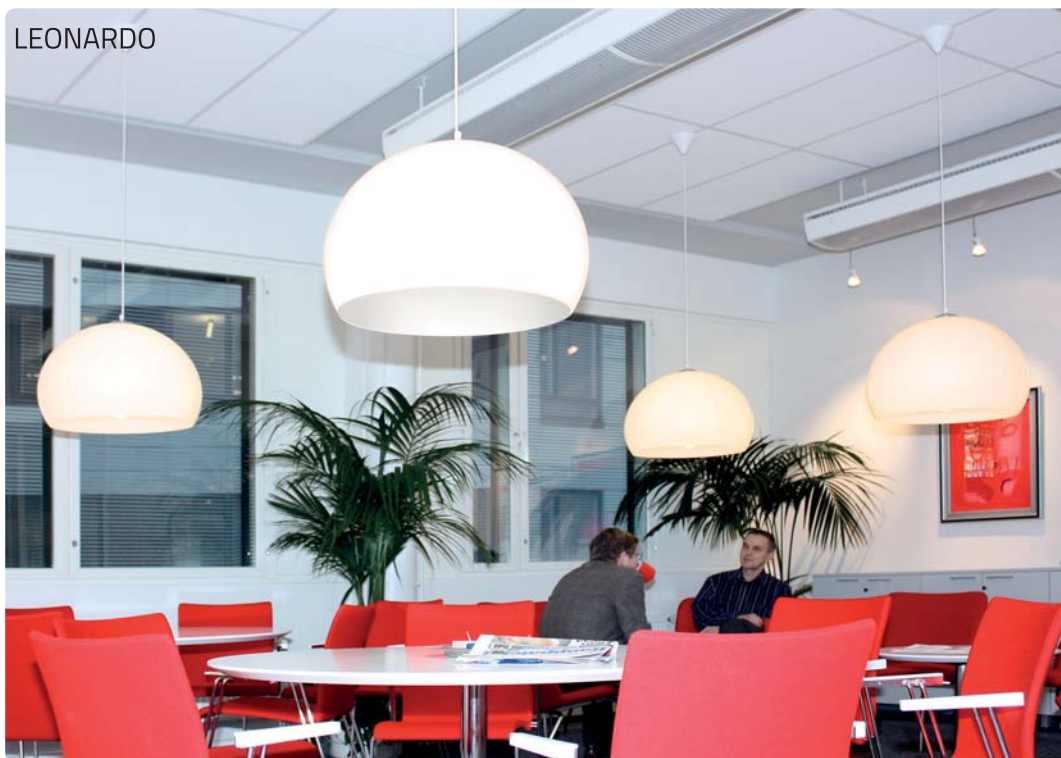
NIGHT SKY
Hanging light
painted aluminium
E27 15-25W
[Orno nr 61-314V]



DELIVERY CONTENT

- Ceiling cap, hanging hook, cord 1,5 m (longer cords available on request)
- LED light delivery include light source and transformer in the cap or base
- CE-marked components
- Design from Finland awarded
- Individually packed in cardboard boxes

LEONARDO



SKY FLYER



Company presentation



HISTORY

Two young men belonging to the large postwar generation got an idea to start a business in plastics field. Year 1971 Tapio Nieminen and Pertti Könönen decided to establish a limited company. The corporation charter stated "manufacturing of light domes and other plastic products". Light domes represented that time modern architecture. The factory premises were found in Kerava city, Kuparikuja 6, in the basement of a house. The company name was chosen to be Keraplast Oy. The company which became family owned year 2004 continues now activity under the name Keragroup Oy. The sub branches are Keravent and Keraplast.



CORPORATE FIGURES

- Established in 1971 in Kerava
- Owned by Tapio, Seppo and Juha Nieminen
- Turnover 20,8 million Euros in year 2012
- Employees 135 in year 2012



In year 2012 company received national entrepreneur award.

THE FIELDS OF ACTIVITY



Keraplast provides for general industry a variety of transparent products and Keraplast Interior offers high class interior lights. The company continues its core business in plastic refinement for the needs of the general industry as well as for the interior field.



Keraplast works with light domes, transparent patio covers and with other daylight solutions. Keraplast provides a wide array of products for cozy and bright premises for schools, patios and even cowsheds.



Keravent sells smoke exhaust equipment and also installation as well as overhauling services. Keravent is internationally renowned manufacturer for CE-marked smoke exhaust equipment advancing fire safety in buildings.